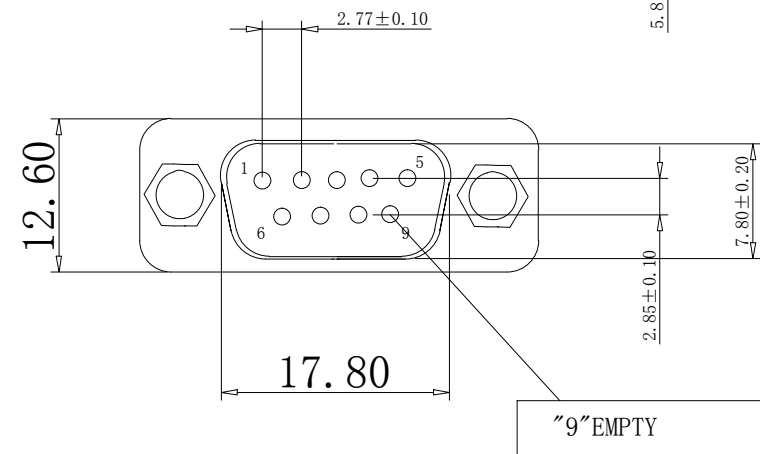
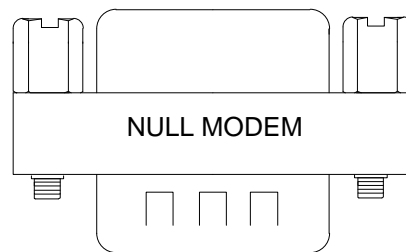
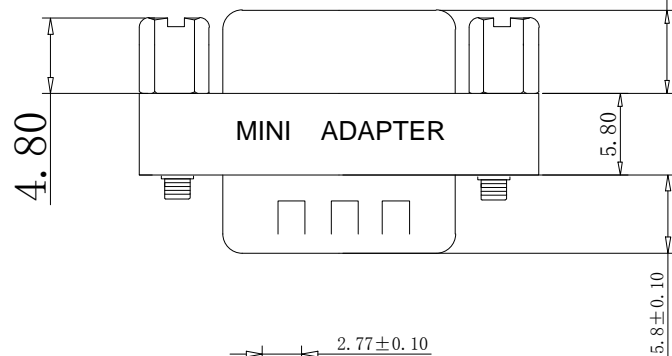
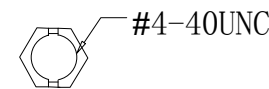
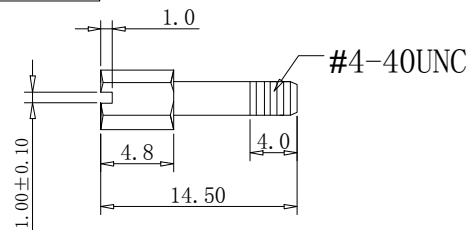
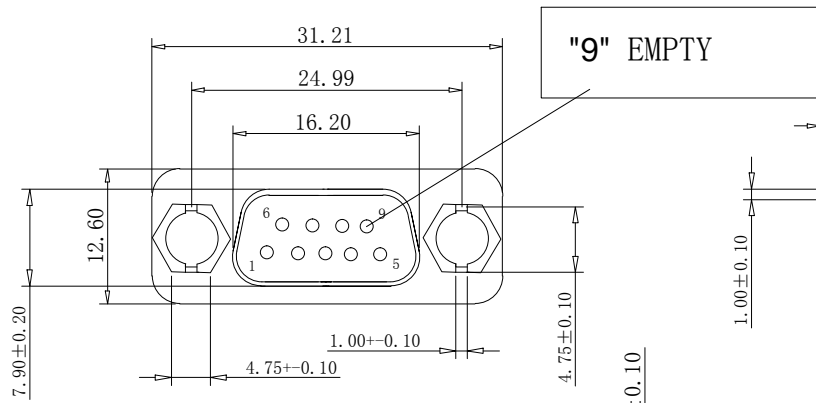


# REVISIONS

SYM	ECNNO	DESCRIPTION	DATE	APPROVED



### PIN ASSIGNMENT

DB9M	DB9F
2	3
3	2
4	1+6
5	5
1+6	4
7	8
8	7
9	9
G	G

### Specification:

Rating Current: 3 AMP

Insulation Resistance: 1000M Ohm min. at 500V DC

Dielectric Strength: 1000V AC for one minute.

Temperature: -55°C~+105°C

Contact: Brass Gold flash over Nickel Plated

Shell: SPCC Nickel Plated

Insulator: PBT+30%GF BLACK

Screw: Steel 12L14 Nickel Plated

Label: Orange color White character

One Side: MINI ADAPTER

Other Side: NULL MODEM

APPROVED		DATE	2008/11/18	SCALE	
CHECKED		DWG NO	T003	ANGLE	
DESIGNED		UNIT	MM	TILTE	
				TILTE	DB9M TO DB9F

文件编号	F-3-MIN-001-010	修订履历	日期
版次	00	新版发行	2008/11/18

公差: 未注明公差±0.2